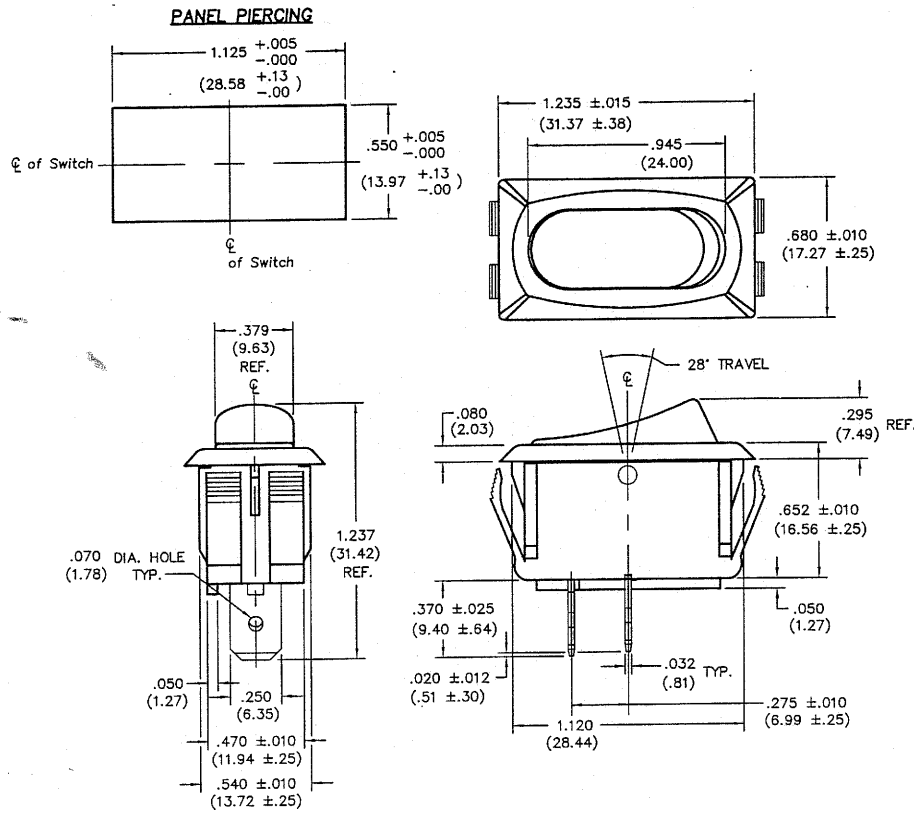


DIMENSIONS IN INCHES (MILLIMETERS)  
DO NOT SCALE DRAWING .....

Dwg. No.  
GRS-2011-2500 THRU 2502

E  
D  
C  
B  
A



PART NUMBER	COLOR
-2500	BLACK-000
-2501	WHITE-913
-2502	BISQUE-131

SIZE-B4	REVISIONS	0	RELEASED. DCW 9-27-2001	OCT 3 2001	PDF File Made	<b>CW INDUSTRIES</b> Southampton, Pa. 18966 TOLERANCES UNLESS OTHERWISE SPECIFIED 2 Place Decimal $\pm 0.010$ METRIC 3 Place Decimal $\pm 0.005$ 1 Place Dec. $\pm 0.25\text{mm}$ Angles $\pm 1^\circ$ 2 Place Dec. $\pm 0.13\text{mm}$	Title: <b>ROCKER SWITCH SP/ST ASSEMBLY EURO STYLE, POLARIZED 1.125" x .550" PANEL</b>	
		1						Division: <b>DIVISION</b>
		2						Dwg. No. <b>GRS-2011-2500 THRU 2502</b>
		3						Made for: <b>CW IND.</b> Drawn by: <b>DCW 9-27-2001</b> Checked by: <b>G. Gold 9-28-01</b> Approval: <i>[Signature]</i> 10-2-1

**MASTER**

# Mouser Electronics

Authorized Distributor

Click to View Pricing, Inventory, Delivery & Lifecycle Information:

[CW Industries:](#)

[GRS-2011-2501](#) [GRS-2011-2500](#)